

Description

VFP linear piston vibrators are air cushioned and the frequency and therefore the force are controllable by regulation of the air pressure.

A 3/2 pneumatic valve must be used to ensure consistent starting and reliable operation.

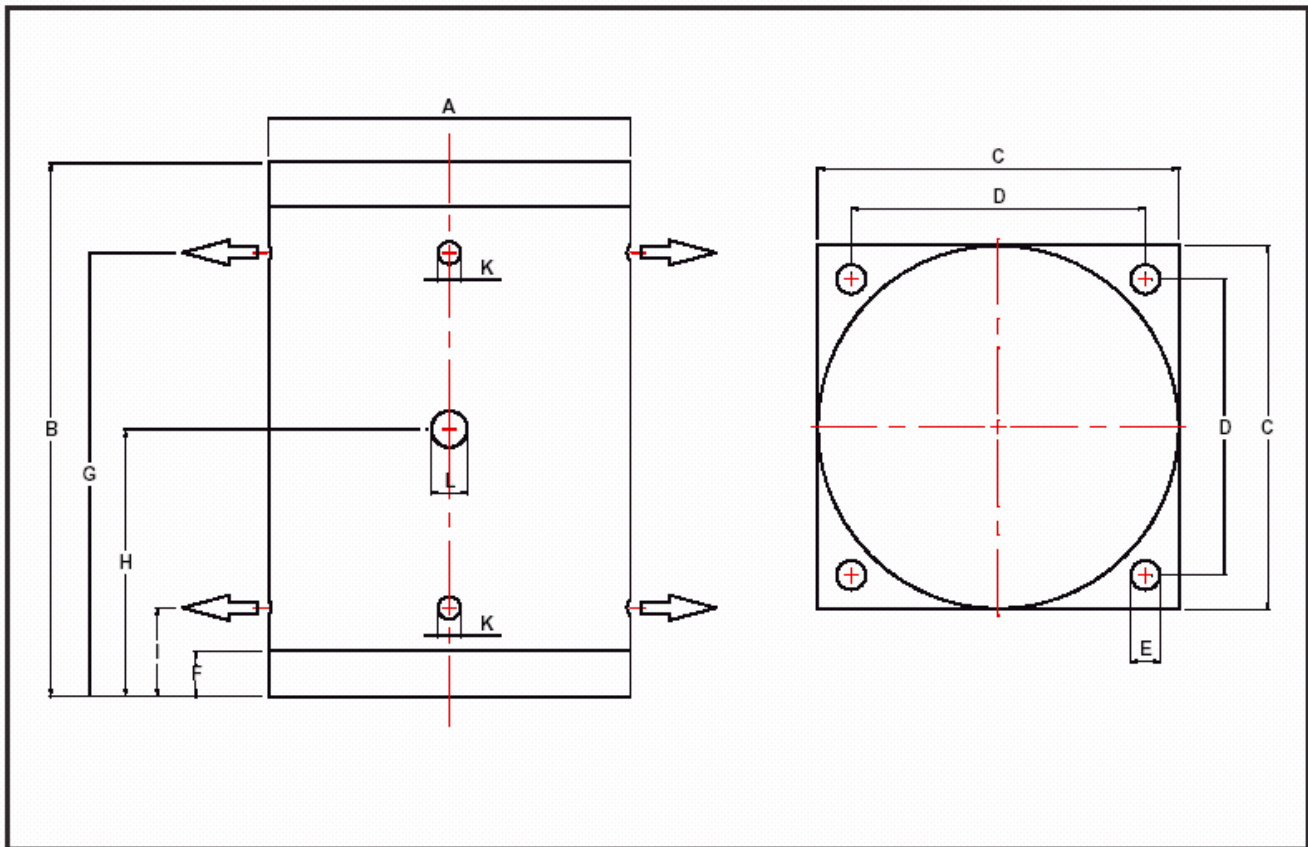
Application

The VFP range of heavy duty piston vibrators are designed to give a high output force suitable for powering large feeders and compaction tables with a high loading.

Technical Data

model	frequency			force			working moment		
	min ⁻¹			N			kgcm		
	2 bar	4 bar	6bar	2 bar	4 bar	6 bar	2 bar	4 bar	6 bar
VFP 50/04	2000	2500	3000	1130	2390	3500	5,2	7,0	7,1
VFP 50/10	1800	2300	2850	2160	4930	8020	13	17	18
VFP 30/10	840	1044	1300	1940	4780	8900	50	80	96
VFP 50/20	1940	2120	2800	8050	13730	18640	39	56	43
VFP 30/20	1200	1300	1750	5890	12750	19600	75	138	117
VFP 24/20	980	1200	1420	6870	14700	20600	130	186	186
VFP 50/40	1600	2150	2650	7260	16700	26500	52	66	69
VFP 20/40	850	1080	1310	12750	23550	31400	329	368	328

www.aldak.de (only in german language) • info@aldak.de



Dimensions in mm

model	A	B	C	D	E	F	G	H	I	K	L	body wt. / kg	piston wt. / kg	total wt. / kg
VFP 50/04	140	157	150	124	13	20	112	89	45	3/8"	3/8"	11,6	4,3	15,9
VFP 50/10	190	157	200	165	17	20	110	79	45	3/8"	1/2"	20	9	29
VFP 30/10	190	340	200	165	17	20	290	170	50	3/8"	1/2"	41	25	66
VFP 50/20	250	190	250	210	21	30	134	95	57	3/8"	3/4"	42	19	61
VFP 30/20	250	278	250	210	21	30	218	139	61	3/8"	3/4"	54	37	91
VFP 24/20	250	360	250	210	21	30	298	180	62	3/8"	3/4"	68	54	122
VFP 50/40	320	267	320	260	25	40	190	134	70	1/2"	1"	89	52	141
VFP 20/40	320	470	320	260	25	40	390	235	78	1/2"	1"	134	125	259

We reserve the right to modify or withdraw specifications or products without notice or obligation.

www.aldak.de (only in german language) • info@aldak.de